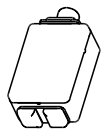
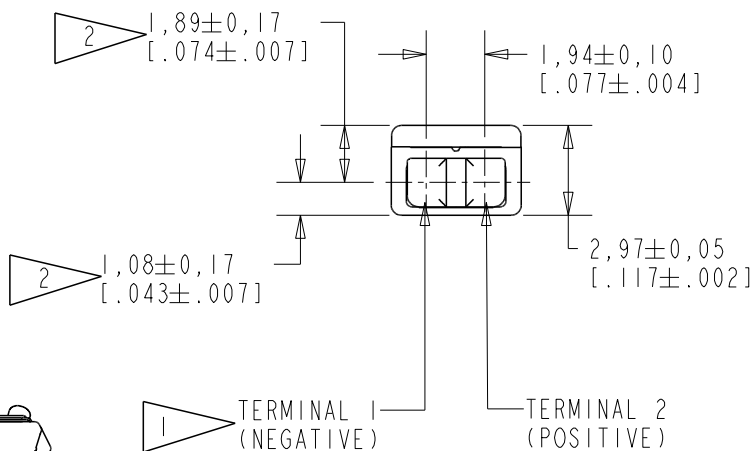
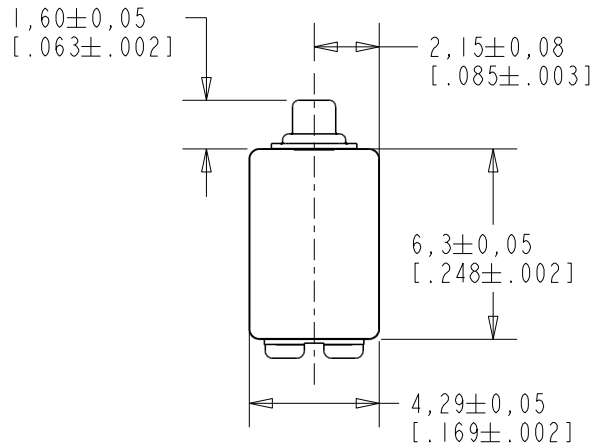


ED-27305-000

SHT 1.1



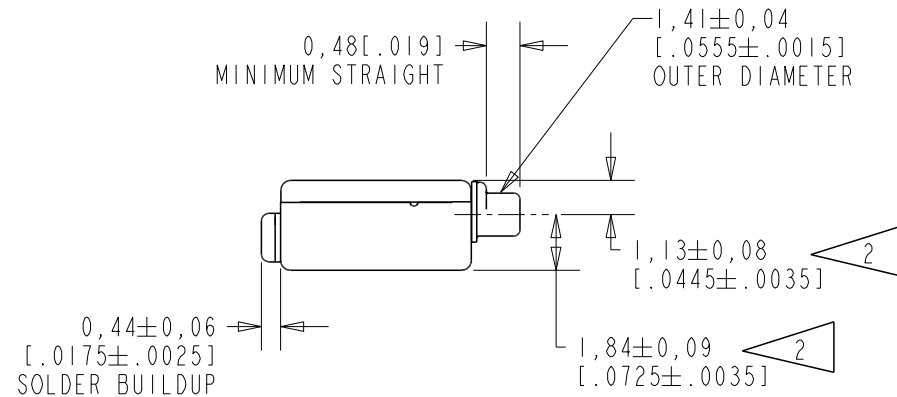
SCALE 2:1

NOMINAL WEIGHT  
.31 GRAM

DIMENSIONS IN MILLIMETERS [INCHES]

NOTE:

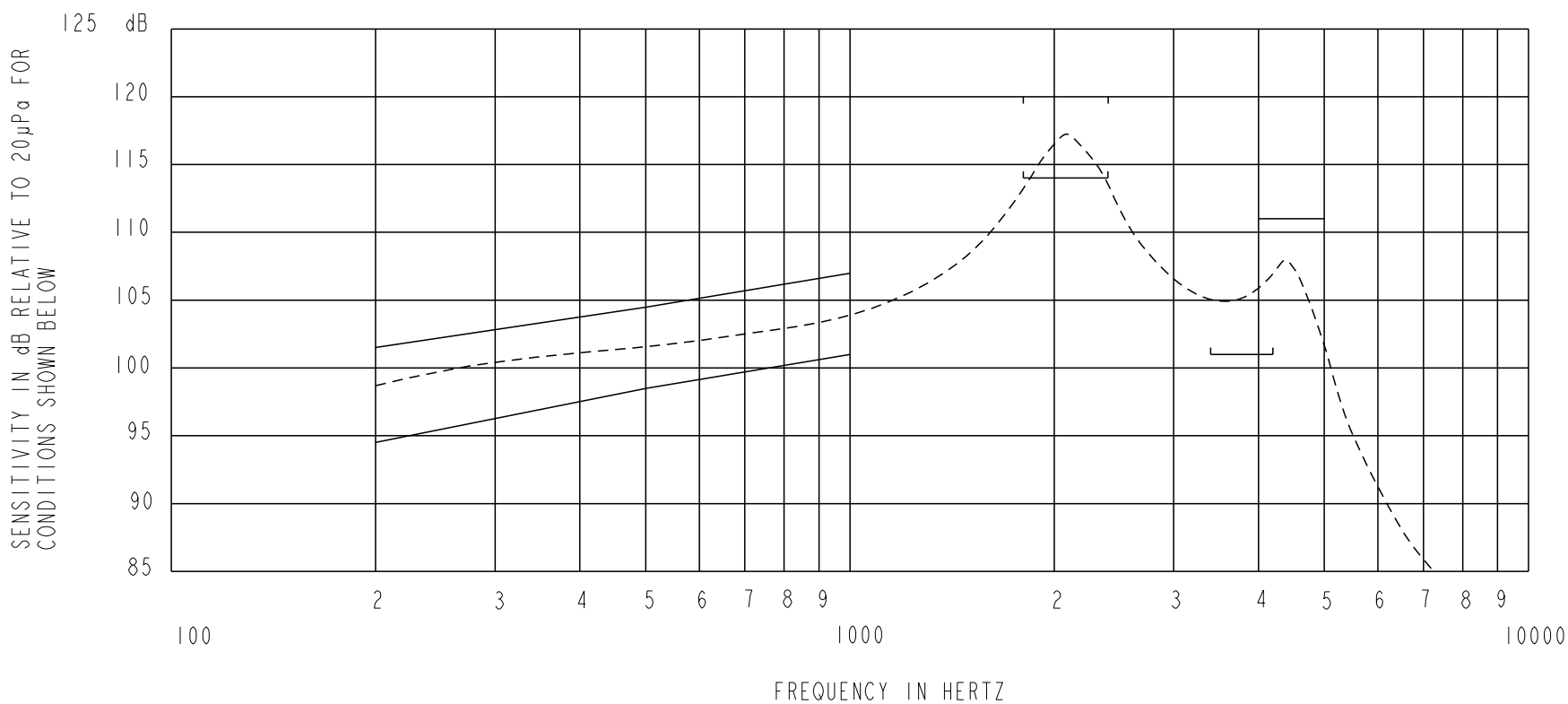
- 1 A POSITIVE GOING VOLTAGE AT TERMINAL 2, RELATIVE TO TERMINAL 1, CAUSES A DECREASE IN PRESSURE AT THE SOUND OUTLET.
- 2 LOCATED FROM TWO SURFACES FOR CUSTOMER CONVENIENCE. ONLY APPLICABLE FROM ONE SURFACE, NOT TO BE USED TOGETHER. HORIZONTAL LOCATION FOR TERMINAL CENTERED TO  $\pm 0,17$  [.007].



| Revision | C.O. #    | Implementation Date | RELEASE LEVEL | REVISION |
|----------|-----------|---------------------|---------------|----------|
| C        | PI0000565 | 7-25-16             | Active        | C        |
| B        | CI0107990 | 8-20-08             |               |          |
| A        | CI0103511 | 12-29-05            |               |          |

|                      |  |         |          |
|----------------------|--|---------|----------|
| SCALE: 4:1           |  | DR. BY  | DATE     |
| DO NOT SCALE DRAWING |  | CRG     | 12-29-05 |
| TITLE: RECEIVER      |  | CK. BY  | DATE     |
| OUTLINE DRAWING      |  | GJP     | 1-3-06   |
| ED-27305-000         |  | APP. BY | DATE     |
| SHT 1.1              |  | GJP     | 1-3-06   |

**KNOWLES CORPORATION**



NOTES:

1. MEASUREMENTS MADE USING 10m (.394") X 1mm (.039") ID TUBE CONNECTED TO A SIMULATED ANSI S3.7-1973 TYPE HA-3 COUPLER. (IEC 60318-5).

2. SENSITIVITY

| FREQUENCY | MIN.  | MAX.  |
|-----------|-------|-------|
| 200       | 94.5  | 101.5 |
| 500       | 98.5  | 104.5 |
| 1000      | 101.0 | 107.0 |
| 1800-2400 | 114.0 | 120.0 |
| 3400-4200 | 101.0 | ---   |
| 4000-5000 | 105.0 | 111.0 |

- RESPONSE, IMPEDANCE, AND DISTORTION MEASUREMENTS MADE USING THE ELECTRICAL TEST CONDITIONS SHOWN BELOW.
- ELECTRICAL SOURCE IMPEDANCE MUST BE GREATER THAN 20 TIMES 1KHz IMPEDANCE FOR TEST CONDITIONS SHOWN BELOW.
- INDIVIDUAL SPECIFICATIONS.

| PORT LOCATION | IMPEDANCE OHMS ±15% |       | DCR @20°C OHMS ±10% | DISTORTION |         | ELECTRICAL TEST CONDITIONS |       | HIGH DRIVE DISTORTION |          |           |       |
|---------------|---------------------|-------|---------------------|------------|---------|----------------------------|-------|-----------------------|----------|-----------|-------|
|               | 1KHz                | 500Hz |                     | MAX. %     | FREQ Hz | AC mA RMS                  | DC mA | MAX. %                | FREQ. Hz | AC mA RMS | DC mA |
| 12C           | 100                 | 65    | 48                  | 5          | 800     | 1.98                       | 0.0   | 15                    | 2100     | 7.92      | 0.0   |

| Revision | C.O. #    | Implementation Date | RELEASE LEVEL | REVISION |
|----------|-----------|---------------------|---------------|----------|
| C        | PI0000565 | 7-25-16             | Active        | C        |
| B        | CI0107990 | 8-20-08             |               |          |
| A        | CI0103511 | 12-29-05            |               |          |

**KNOWLES CORPORATION**

WHEN TEST LIMITS ARE USED TO ESTABLISH INCOMING INSPECTION ACCEPTANCE/REJECTION CRITERIA, CORRELATION OF TEST EQUIPMENT WITH KNOWLES IS ALSO REQUIRED FOR ELIMINATION OF EQUIPMENT AND TEST METHOD VARIATION

TITLE: RECEIVER  
PERFORMANCE SPECIFICATION

ED-27305-000  
SHT 2.1

| DR. BY  | DATE     |
|---------|----------|
| CRG     | 12-29-05 |
| CK. BY  | DATE     |
| GJP     | 1-3-06   |
| APP. BY | DATE     |
| GJP     | 1-3-06   |